

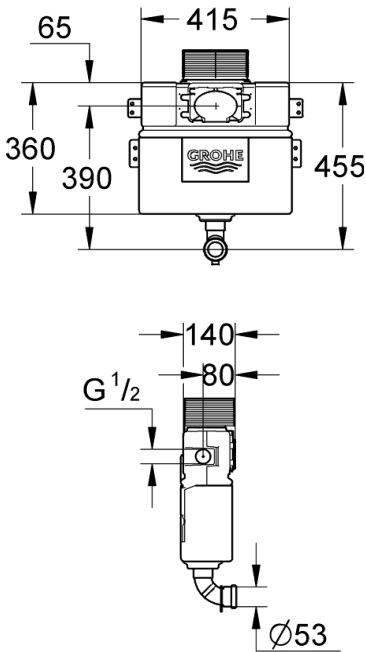




PROJECT		REF		REV	ITEM CODE	
LOCATION		DATE			PAGE	

SANITARY WARE SPECIFICATION SHEET

<p>Item Descriptions</p>	<p>GROHE (Germany) WC concealed dual flushing cistern with connecting pipe</p>	<p style="text-align: center;">Illustration/ Drawing</p> <div style="text-align: center;">  </div> <div style="text-align: center;">  <p style="text-align: center;">Inlet set 37102SH0</p> </div> <div style="text-align: center;">  </div>
<p>Dimensions</p>	<p>L465 x W140 x H455 mm</p>	
<p>Model</p>	<p>38422000 (Cistern) 37102SH0 (Inset set)</p>	
<p>Finish</p>	<p>White</p>	
<p>Manufacturer</p>	<p>GROHE Limited</p>	
<p>Supplier</p>	<p>Acme Sanitary Ware Co. Ltd Mr. Eric Wong/ Mr. Wilson Hung</p>	
<p>Contact Tel/Fax</p>	<p>(852) 2388-7171 / (852) 2710-8012</p>	
<p>E-mail</p>	<p>acme@acmesanitary.com.hk</p>	
<p>Website</p>	<p>www.acmesanitary.com.hk</p>	
<ul style="list-style-type: none"> • 6 - 9 l adjustable • concealed installation • 0.82 m installation height • dual flush discharge valve, pneumatic • front or top actuation • water supply from left/right or top • low noise (group I acc. to German Noise Specification) • insulated against condensation • ½" water supply connection • fixing brackets • flush pipe • shortable inspection shaft incl. protection during construction phase • without wall plate/actuation • GROHE Water Saving - Less water, perfect flow • for mounting of small flush plates please order revision shaft 40 950 000 (sold separately) 		

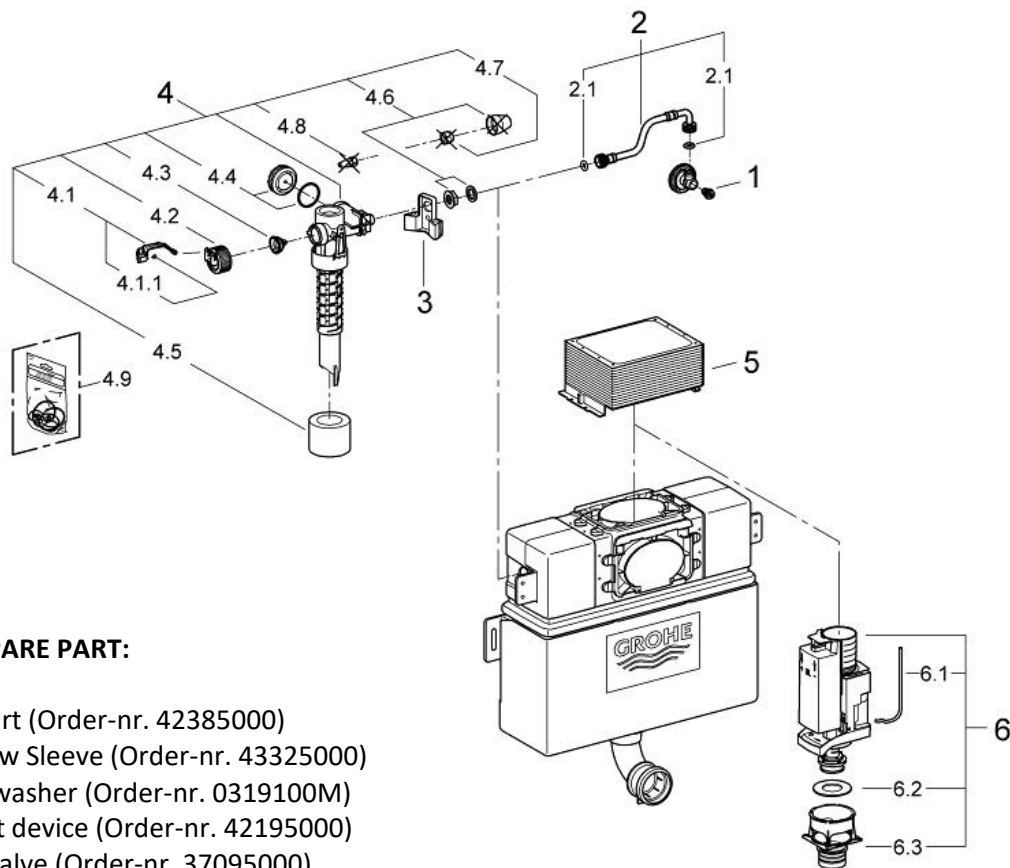
Note:

* All information of the above is for the reference only. No prior notice is made if any changes.



PROJECT		REF		REV	ITEM CODE	
LOCATION		DATE			PAGE	

SANITARY WARE SPECIFICATION SHEET



SELECT SPARE PART:

- 1: Headpart (Order-nr. 42385000)
 - 2: Overflow Sleeve (Order-nr. 43325000)
 - 2.1: Seat washer (Order-nr. 0319100M)
 - 3: Support device (Order-nr. 42195000)
 - 4: Filling valve (Order-nr. 37095000)
 - 4.1: Lever (Order-nr. 43734000)
 - 4.1.1: Ball seal dia. 9x6.8 mm (Order-nr. 4377000M)
 - 4.2: Valve head (Order-nr. 43536000)
 - 4.3: Membrane (Order-nr. 4375800M)
 - 4.4: Screw cap (Order-nr. 43735000)
 - 4.5: Valve float, 5 pcs. (Order-nr. 4379100M)
 - 4.6: Repl. kit f. seal (Order-nr. 43722000)*
 - 5: inspection shaft.for flushing cistern (Order-nr. 42326000)
 - 6: Discharge valve AV1 complete (Order-nr. 42314000)
 - 6.1: pneumatic hose (Order-nr. 42319000)
 - 6.2: Ball seal dia. 9x6.8 mm (Order-nr. 42310000)
 - 6.3: Valve seat for GD2 (Order-nr. 42315000)
- * Optional accessories

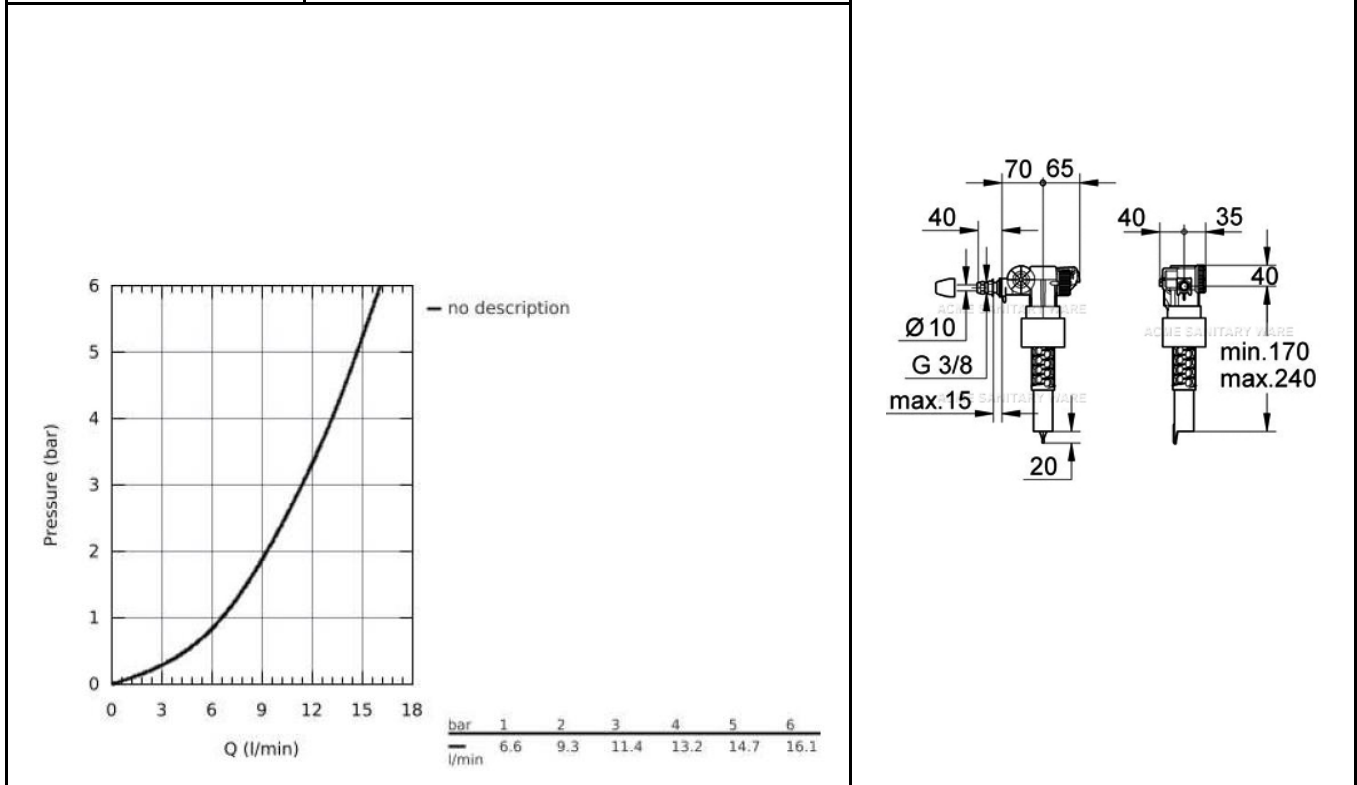
Note:



PROJECT		REF		REV	ITEM CODE	
LOCATION		DATE			PAGE	

SANITARY WARE SPECIFICATION SHEET

Item Descriptions	GROHE (Germany) Plastic inlet valve	Illustration/ Drawing
Model	37095000	
Material	Plastic	
Manufacturer	GROHE (Germany)	
Source	Acme Sanitary Ware Co. Ltd Mr. Eric Wong/ Mr. Wilson Hung	
Contact Tel/Fax	(852) 2388-7171 / (852) 2710-8012	
E-mail	acme@acmesanitary.com.hk	
Website	www.acmesanitary.com.hk	



Note:

** All information of the above is for the reference only. No prior notice is made if any changes.*



水務署
Water Supplies Department



香港灣仔皇后大道東7號入境事務大樓48樓
Tower, 7 Gloucester Road, Wan Chai, Hong Kong

本署檔號
Our ref.
來函檔號
Your ref.

WRC/2305 (1065/2020)

電話
Tel.
傳真
Fax. : 2824 0578

6 October 2020



**Approval of "GROHE" Float Operated Valve
(General Acceptance No. C20200864F)**

Your letter ref. WRC/2305 dated 13 August 2020 refers.

Having considered the test report ref. J24281 issued on 30 July 2020 by Nutek Systems (HK) Limited, this Authority accepts that the fitting described below complies with, and its use when correctly installed does not contravene, the Waterworks Ordinance and Regulations.

Name of Manufacturer: Grohe AG
Country of Origin: Germany
Brand: Grohe
Details of Fitting: 3/8" Plastic float operated valve
Model: 37095000
Body Markings: 
Expiry Date: 2 June 2025



Proviso: As the fitting has not been tested for use in contact with water intended for human consumption, the fitting can only be used in flushing water plumbing system.

This Authority hereby permits the use of the above fitting in flushing water plumbing systems subject to full adherence to Waterworks installation requirements. In particular, you are required to draw your customers' attention to the following requirement-

"The flushing volume of the flushing valve should be adjusted to suit the design of the toilet bowl so that wastes can be cleared effectively by a single flush."

"The fitting should be used within the range of working pressures specified by the manufacturer." AND

"The installed fitting should not result in backflow of water that will contaminate the flushing water supply."

A condition of this acceptance is that the fitting to be installed shall be replicas of the sample as certified by the testing agent mentioned above and without modifications. This acceptance may be withdrawn at any time if the standard of the fitting installed fails to meet that of the approved sample or if the fitting is found to be unsuitable for use in flushing water plumbing systems.

For the use of the fitting in any project, the General Acceptance Number of this letter must be quoted as a means of identification of acceptance of the fitting by this Authority.

Should you have any enquiries, please contact our Engineer Mr. Terry KUNG at tel. no. 3583 4086.

Yours faithfully,


(CHAN Chung-kun)

for Director of Water Supplies

Encl.

c.c. WSD 3321/1/82] - without catalogue
ME/MC] - with soft copy only



PROJECT		REF		REV	ITEM CODE	
LOCATION		DATE			PAGE	

SANITARY WARE SPECIFICATION SHEET

Item Descriptions	GROHE (Germany) Plastic flush device	Illustration/ Drawing
Model	42314000	
Material	Plastic	
Manufacturer	GROHE (Germany)	
Source	Acme Sanitary Ware Co. Ltd Mr. Eric Wong/ Mr. Wilson Hung	
Contact Tel/Fax	(852) 2388-7171 / (852) 2710-8012	
E-mail	acme@acmesanitary.com.hk	
Website	www.acmesanitary.com.hk	

Note:

* All information of the above is for the reference only. No prior notice is made if any changes.



水務署
Water Supplies Department

總部 Headquarters

打道七號入境事務大樓 48 樓

48/F, Gloucester Road, Wan Chai, Hong Kong



本署檔號
Our ref.
來函檔號
Your ref.

2020 T/J(1308/2020)

電話 :
Tel. :
傳真 : 2824 0578
Fax.

24 November 2020



Approval of "GROHE" Flush Valve (General Acceptance No. C20201042F)

Your letters ref. WRC/2356 and C-WSD/0667 dated 5 October 2020 and 30 October 2020 respectively refer.

Having considered the test report ref. J25575 issued on 9 September 2020 by Nutek Systems (HK) Limited, this Authority accepts that the fitting described below complies with, and its use when correctly installed does not contravene, the Waterworks Ordinance and Regulations.

Name of Manufacturer: Grohe AG
Country of Origin: Germany
Brand: Grohe
Details of Fitting: 42mm Plastic dual flush valve
Model: 42314000
Body Markings: 
Expiry Date: 6 April 2025



Proviso: As the fitting has not been tested for use in contact with water intended for human consumption, the fitting can only be used in flushing water plumbing system.

This Authority hereby permits the use of the above fitting in flushing water plumbing systems subject to full adherence to Waterworks installation requirements. In particular, you are required to draw your customers' attention to the following requirement-

"The flushing volume of the flushing valve should be adjusted to suit the design of the toilet bowl so that wastes can be cleared effectively by a single flush."

"The fitting should be used within the range of working pressures specified by the manufacturer." AND

"The installed fitting should not result in backflow of water that will contaminate the flushing water supply."

A condition of this acceptance is that the fitting to be installed shall be replicas of the sample as certified by the testing agent mentioned above and without modifications. This acceptance may be withdrawn at any time if the standard of the fitting installed fails to meet that of the approved sample or if the fitting is found to be unsuitable for use in flushing water plumbing systems.

For the use of the fitting in any project, the General Acceptance Number of this letter must be quoted as a means of identification of acceptance of the fitting by this Authority.

Should you have any enquiries, please contact our Engineer Mr. Terry KUNG at tel. no. 3583 4086.

Yours faithfully,



(CHAN Chung-kun)

for Director of Water Supplies

Encl.

c.c. WSD 3321/1/82] - without catalogue
ME/MC] - with soft copy only